



LOS ANGELES COMMUNITY COLLEGE DISTRICT
 DEPARTMENT OF FACILITIES PLANNING AND DEVELOPMENT
 PROPOSITION A/JAA BOND PROGRAM

REQUEST FOR INFORMATION (RFI)

NOTE: AN RFI IS A REQUEST FOR INFORMATION ONLY. IF A REPLY TO AN RFI REQUIRES ADDITIONAL SERVICES BY DESIGN CONSULTANT, OR WILL CHANGE SCOPE OF WORK OR CONTRACT TIME, SUBMIT PROPOSAL REQUEST IN ACCORDANCE WITH SECTION 01250.

CONTRACTOR: Masters Contracting Corp.

PROJECT NAME: Campus Modernization/32527

PROJECT NO.: 34M.5419.03

RFI NUMBER: RFI_Reprographics_006

DRAWING REFERENCE: Detail 1/A802.0

SPECIFICATION REFERENCE: _____

Information Requested: (Attach additional sheets as required to fully describe information requested)

Detail 1/A802.0 indicates to install new 16 gauge stud backing typical inside the existing walls. Due to existing conditions inside the wall MCC cannot install the stud backing.

Please provide an alternate detail to achieve the reinforcement.

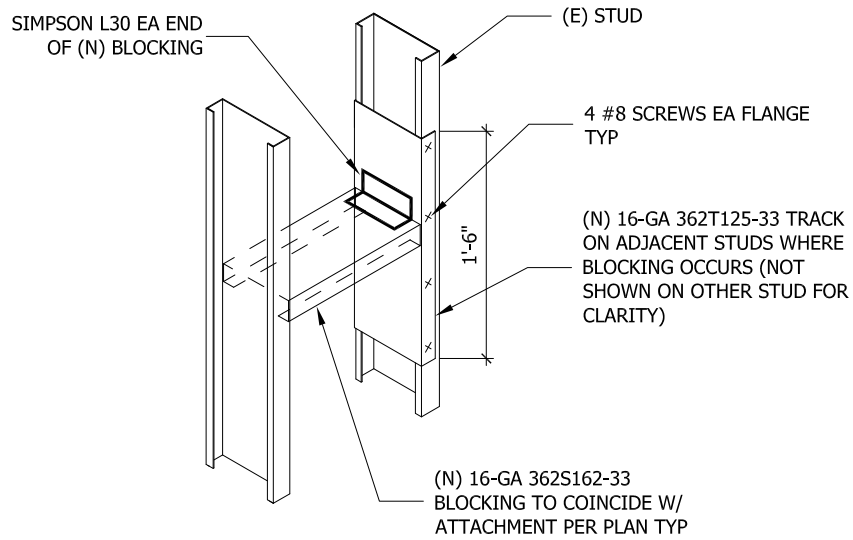
Recommended Solutions: (Attach additional sheets as required to fully describe recommended solution)

Please refer to attached detail 003.

By: EAS, Inc. **Date:** 10-1-09
Design Consultant
 Response: (Attach additional sheets as required to fully describe response)

By: _____ **Date:** _____
College Project Manager
 Response: (Attach additional sheets as required to fully describe response)

By: Masters Contracting Corp. **Date:** 09/28/09
Contractor
 Response: (Attach additional sheets as required to fully describe response)



**ENGINEERING
ALIGNMENT
SYSTEMS, INC.**

1913 E. 17TH STREET, SUITE 203
SANTA ANA, CA 92705
P 714.664.8991
F 714.664.8913

Project Title & Facility:

LOS ANGELES MISSION COLLEGE
CAMPUS MODERNIZATION

Building / Location:

REPROGRAPHICS

Reference Drawing: Detail 1, A802

Client Project No.: 34M.5419.03

Scale: None

Drawn By: EJK

Date Issued: 10-1-09

Drawing Name:

Sketch for RFI 006

Sketch No.:

003